

**Touch Free Sanitizer Automated Dispenser - ZERO CONTACT**

**Wall Mount**

**Product Dimensions**  
H 18" x W 6" x D 4.5"

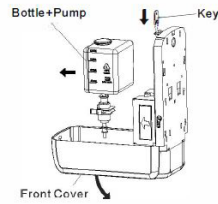
**GEL**  
**SKU: 00671401060**



*Requires 4x C-size batteries.  
Not included*

**STEP 1**

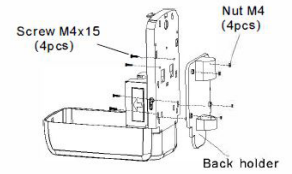
Open it with key, take out the bottle and pump



**Install Black Holder**

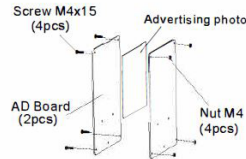
**STEP 2**

Install the back holder with dispenser



**STEP 3**

Put Advertising photo inside of 2 pcs AD board

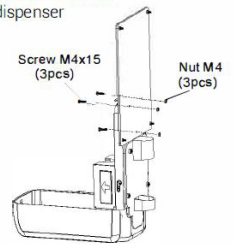


\* Advertising photo size: 18x 18cm

**Install AD Board**  
(If needed)

**STEP 4**

Install the AD Board on dispenser



**Stand Alone**

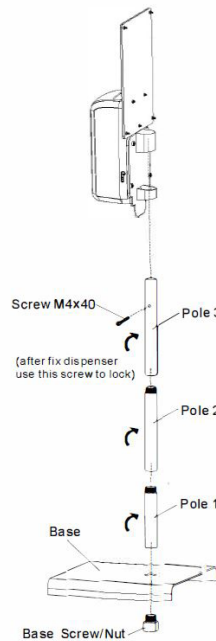
**Product Dimensions**  
H 59" x W 6" x D 4.5"

**GEL**  
**SKU: 00671401075**



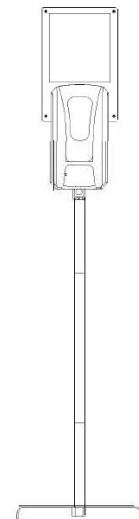
*Requires 4x C-size batteries.  
Not included*

**STEP 5**



**Install Pole and Base**

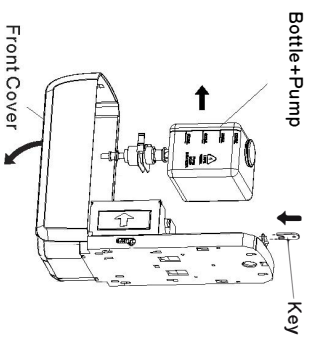
**STEP 6**



\* fix 4 pcs C size batteries, fill liquid and turn on the switch.

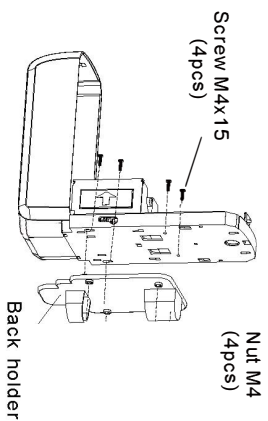
**STEP 1**

Open it with key/take out the bottle and pump

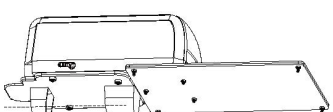


**STEP 2**

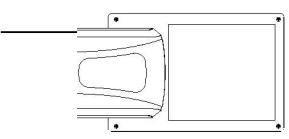
Install the back holder with dispenser



**STEP 5**

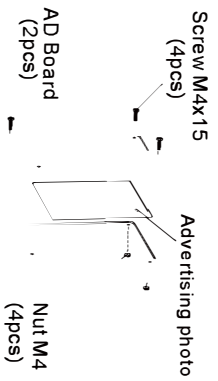


**STEP 6**



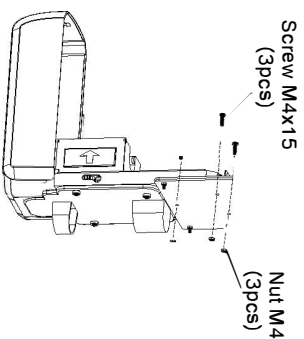
**STEP 3**

Put Advertising photo inside of 2 pcs AD board



**STEP 4**

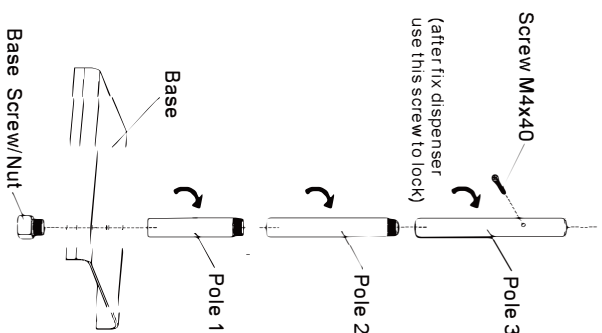
Install the AD Board on dispenser



\* Advertising photo size: 18x 18cm

**Install AD Board (If Needed)**

**Install Pole and Base**



\* fix 4 pcs C size batteries, fill liquid and turn on the switch.

